



TX7004

Intelligent Addressable Fire Alarm Control Panel



EN54-2/4
1330h-(cl-1)

0832-CPR-F2013
Y17

Feature and Benefits

- Certified EN54-2:1997 + A1:2006, EN54-4:1997 + A1:2002 + A2:2006
- LPCB Approved
- Using advance microprocessor technology with Large memory capacity
- Enhance user interface combining LCD Touch screen and keypad access
- Support real time visual algorithm
- Enhance false alarm prevention
- Keypad and PC programming
- Built-in Multiple interface protocol such as USB/Ethernet/CanBus/ Serial/RS485 (Available only in TX7004/4 Panel)
- Support Loop Powered devices for extra saving on cable cost
- Built-In Printer and 160 LED Zones Indicators

Commissioning Advantage

- Auto Enrolling of Devices
- Loop Mapping with colour coding status
- Monitor device mismatch and dual address conflict
- Command Builder to create requirements for fire event scenario
- With Loop protection against power surge
- One-man test with On/Off sounder Programming Protection

System Capacity

- 1, 2, 4 loop Panel, (6 loop standalone)
- Support 254 Devices (1,524 ideal)
- Network up to 512 Node
- Programmable Capacity
- Zones up to 3000
- Sounders Groups 1-1000
- Modules Groups 1001- 2000
- Built-in 160 LED Zones Indicator

Overview

The TX7004 comprise of a range of analogue addressable, microprocessor based fire alarm control equipment to offer flexibility in both design and operation. The System is modular concept for easy tailoring of system design, to meet the full requirements of the project. The TX7004 Intelligent Fire Alarm Control Panel is designed and manufactured to meet the requirement of BS EN54 Part 2&4.

The TX7004 is designed to provide early warning fire detection, to quickly identify the location of fire and provide user definable text informing the occupants of the building of potential smoke spread. Simultaneously, the TX7004 will alert and evacuate the occupants, and control all necessary auxiliary command functions such as elevator control, air handling shut down, gas shut off & damper control, as per the cause and effects requirements configured though Command Builder Set-up.



Technical Specification

Listed

Certified

Power Rating

Input Voltage

Input Current Consumption

PSU Output to CIE

Batteries

Networking and Interfaces

Panel to panel communication

Number of Panels

Interface Port

System Capacity

Memory [Non-Volatile]

Zones

Total Group

 Sounder Group

 Common Group

Loop Specifications

Protocol/Addressing

No. of Loop

Protection

Power rating

Cabling

Input/outputs

Programmable Relays

Programmable Input

Programmable Auxiliary Power

Fixed Outputs (FPE/Sounder)

Indicator

Display

Keypad

Material / Color

Dimension L x W x H

Weight

Humidity

LPCB / CE-CPR

EN54-2:1997 + A1:2006, EN54-4:1997 + A1:2002 + A2:2006

240VAC +10%-15%, 50/60Hz

1 A

24.5 to 28.5 VDC

2 x 12V / 24AH

Can Bus [loop]

512

USB, RS485 Serial, RS232 Serial, Ethernet

1000 Fire Events, 10,000 General Event

3,000 programmable

3,000 programmable

1,000 programmable

2,000 programmable

T&A, Value range from 1 to 254

4 Loop

Built-in 4kV Surge protection

16 to 24Vdc

1.2Km Max Length/2 x 1.5mm²solid core Fire resistance

4 circuits: Normally Open/Close

1 Circuit: Power limited 24Vdc (for future use)

19 to 28 VDC (Note: Current Limited)

2 Circuits: 18 to 28 VDC (Note: Current Limited)

24 LED Status/ 160 Zone Indicators

7" TFT Touch Screen

5 Brigade buttons and Programming Keypad

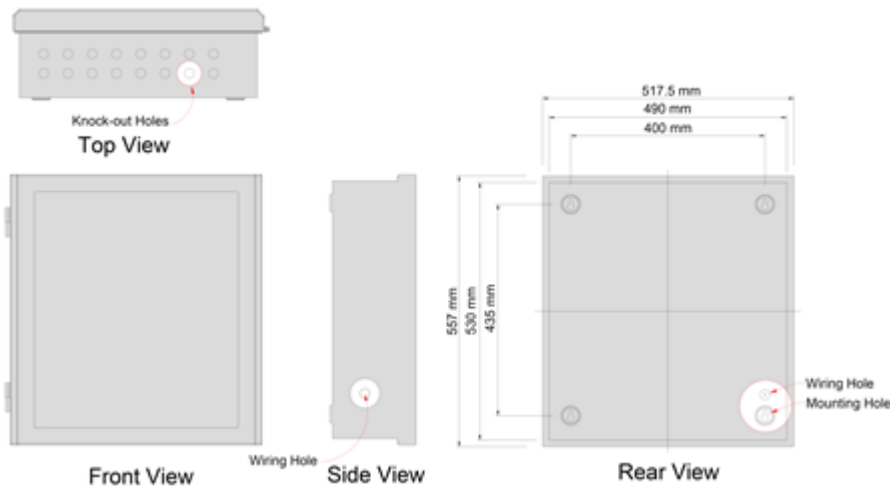
Flat sheet Metal / with outer glass door, Orange stripe

530 mm x 490 mm x 135 mm

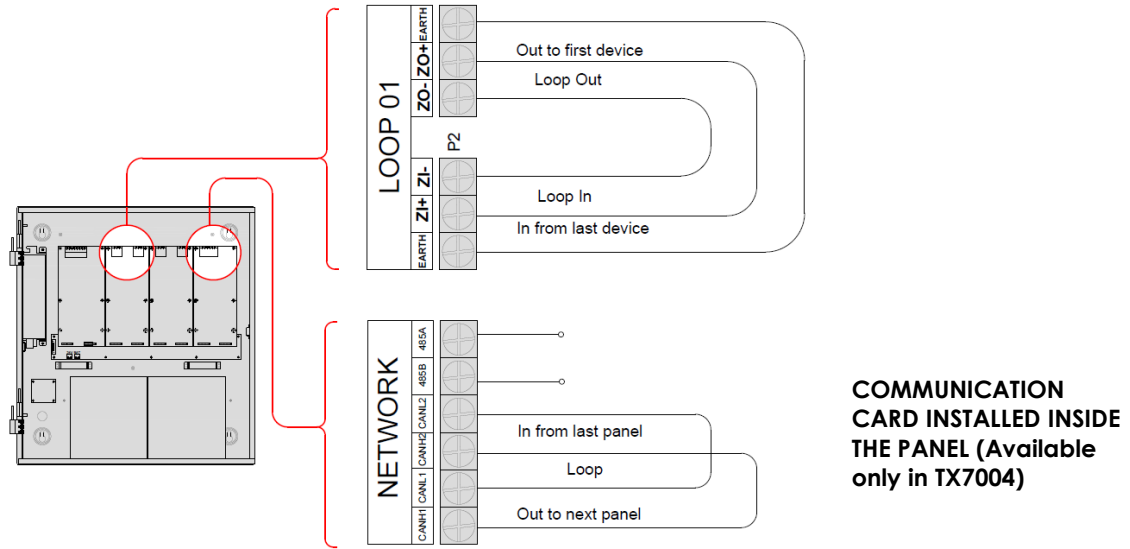
16.70 Kg

0 to 95% Relative Humidity, Non condensing

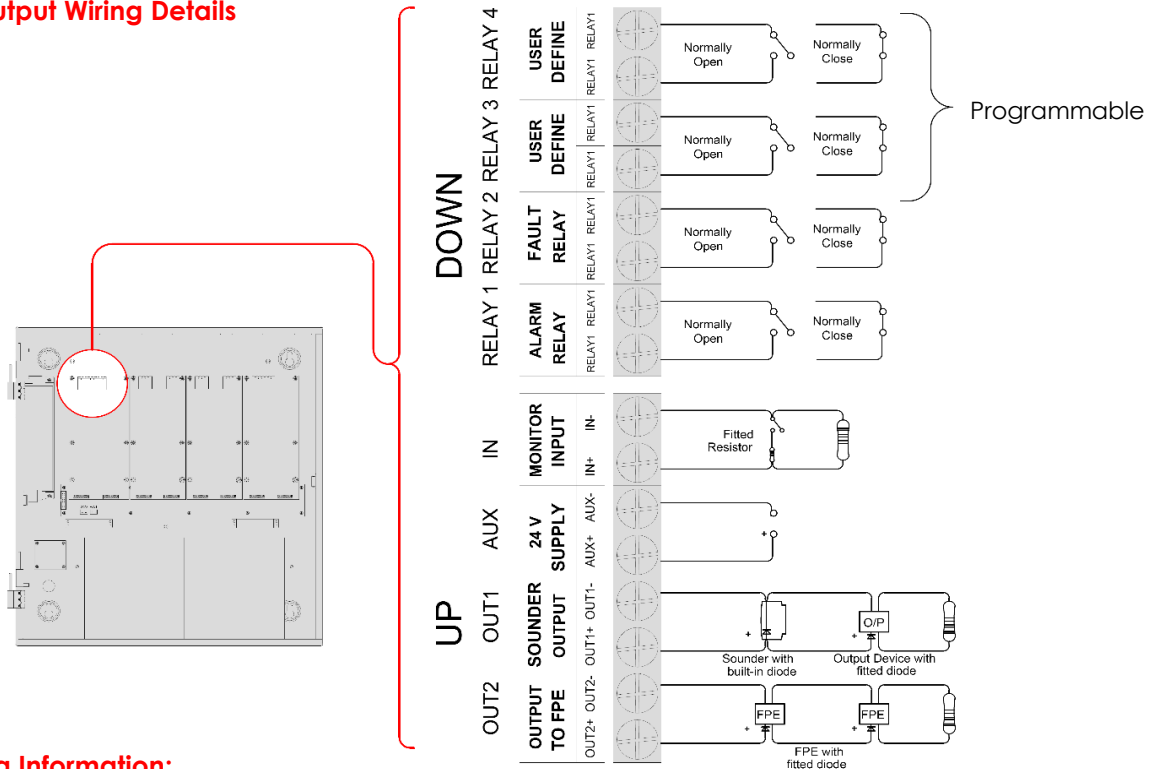
Cabinet Details



Loop and Network Wiring Details



Input/output Wiring Details



Ordering Information:

TX7004/1	1 Loop LPCB Approved .7" LCD display touch screen, Fitted with 1x Single Loop Card, basic configuration up to 254 Addressable Devices, expandable to 4-loop. NO Glass door and Optional Printer. Optional 4-in-1 Communication Card
TX7004/2	2 Loop LPCB Approved .7" LCD display touch screen, Fitted with 1x Dual Loop Card, basic configuration up to 508 Addressable Devices, expandable to 4-loop. Built-in Glass Door and Printer. Optional 4-in-1 Communication Card
TX7004	4 Loop LPCB Approved .7" LCD display touch screen, Fitted with 2x Dual Loop Card, basic configuration up to 1016 Addressable Devices, expandable to 4-loop. Built-in Glass Door and Printer. Built-in 4-in-1 Communication Card



TANDA UK Limited
 4th Floor 30-31 Funnival Street, London, EC4A 1JQ,
 United Kingdom
 T +44 845 116 2924
 Email: info@tandauk.com
 Web.: www.tandauk.com

TANDA UK LTD | DATASHEET

Copyright © The information contained within these data sheets remains the property of TANDA UK LTD. and is not to be altered or reproduced without written permission. TANDA reserves the right to change any specification without giving prior notice.