

# TX7300

## Addressable Sounder and Strobe



### Feature and Benefits

- EN54-3:2001+A1:2002 + A2:2006 Compliance
- Built-in MCU processor and digital addressing
- 17 tones Programmable sound output
- Programmable types such as Sounder-Strobe, Sounder or Strobe alone
- Programmable Evacuate or Pre-alarm/Evacuate signal
- Low and normal consumption mode
- One or Two addresses mode
- 10 Highlights LED status cluster
- Onsite Adjustable Parameters
- Loop or external power input
- Aesthetically pleasing design
- Universal mounting with fix base for simple installation



EN54-3  
1330d-(cl-1)



0832-CPR-F1829  
Y17

### Overview

The TX7300 Addressable Sounder Strobe is alarm warning device used to notify persons in the vicinity of the occurrence fire emergency in order the person to take appropriate measures. The unit adopt multi-application device starting from the types, parameters and wiring layout in single unit. The TX7300 can change into different alarm warning types such as sounder-strobe type, sounder type or strobe type using programming tool. In addition, parameters can be configured according to the requirement which include alarm tone from 17 different tones, single address or dual address mode and also setting of power mode to low current consumption in a simple programming.

The unit manufactured base on the requirement of EN 54 part 3, European Standard. The unit is aesthetically pleasing with unobtrusive design that will complement modern building designs and its plug-in type assemblies make installation and maintenance more convenient to the installer. The unit is compatible to the TX7004 Analogue Intelligent Fire Alarm Control Panel, produced by single manufacture T&A, to avoid addressable communication compatibility problem.





For Better Protection

**Technical Specification**

**Listed**

Compliance

**Power Rating**

Input Voltage

External PSU: 24 VDC [20V to 27.5V]

Typical Current

[Loop and External PSU]

Saving Current

[Loop powered]

**Sounder Strobe**

Protocol/Addressing

Tones

Address Sequence

Dual Address:

Strobe Light

**Material / Colour**

Dimension / Height

Weight

Class

Operating Temperature

Ingress Protection Rating

Humidity

LPCB / CE-CPR

EN54-3:2001+A1:2002 + A2:2006

Loop Power: 24VDC [18V to 27.5V]

Loop: Standby 0.6mA, Alarm: 1.5mA

External PSU: Standby 0.6mA, Alarm: 15mA

Standby 1.2mA, Alarm: 9mA

T&A, Value range from 1 to 254

17 Tones (refers to Manual)

Single Address: Evacuate tone

1<sup>st</sup> Alert Tone / 2<sup>nd</sup> Evacuate tone

10 Highlights LED

ABS / RED Glossy finishing

Diameter 110 mm / 39.6 (with Base)

176g (with Base), 110g (Without Base)

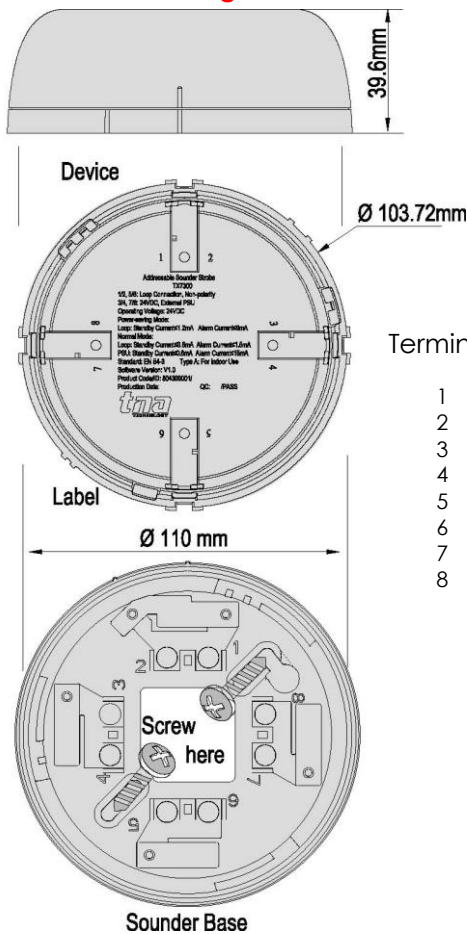
Type A, Indoors

-10°C to +50°C

IP21

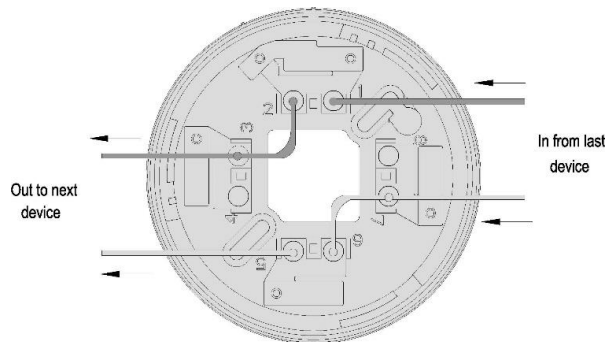
0 to 95% Relative Humidity, Non condensing

**Sounder and Wiring Details**

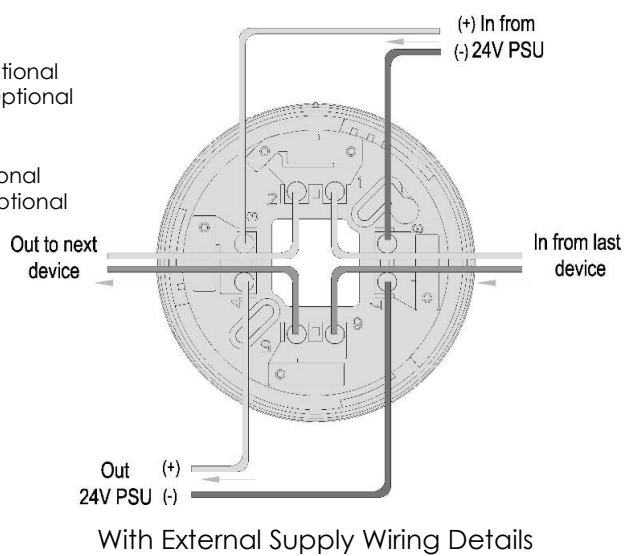


**Terminal Description**

- 1 Signal In (+)
- 2 Signal Out (+)
- 3 External PSU In (+) Optional
- 4 External PSU Out (+) Optional
- 5 Signal In (-)
- 6 Signal Out (-)
- 7 External PSU In (-) Optional
- 8 External PSU Out (-) Optional



**Loop Powered Wiring Details**



**With External Supply Wiring Details**



TANDA UK Limited  
 4th Floor 30-31 Funnival Street, London, EC4A 1JQ,  
 United Kingdom  
 T +44 845 116 2924  
 Email: info@tanda.co.uk  
 Web.: www.tanda.co.uk

**TANDA UK LTD | DATASHEET**

Copyright © The information contained within these data sheets remains the property of TANDA UK LTD. and is not to be altered or reproduced without written permission. TANDA reserves the right to change any specification without giving prior notice.