

TX7201

Addressable Zone Monitor Module



Feature and Benefits

- EN54-18 Compliance
- Built-in MCU processor and digital addressing
- Intelligent self-diagnosis of open circuit
- Enhanced capacity of interference resistance by using multilevel wave filtering process
- LED status indicator
- Onsite Adjustable Parameter
- Loop and external power input
- Aesthetically pleasing design
- Parallel connecting up to 16 conventional detector
- Unit mounting with fix base for simple installation

Overview

TX7201 Addressable Zone Monitor unit is an addressable interface module, which will integrate conventional detectors or conventional manual call points to addressable system. When any of the connected devices alarms are active, the unit can send the alarm message to fire alarm controller, which generates alarm signal and displays its address. The unit can match with the conventional optical smoke detector, conventional rate of rise and fixed temperature detector and conventional manual call point etc. It has the function of checking short or open circuit of the output connection, by the End of Line Resistor (EOLR). The fault message includes open circuit, short circuit or any removal of the detectors.

The unit manufactured base on the requirement of EN 54 part 18, European Standard. The unit is aesthetically pleasing with unobtrusive design that will complement modern building designs and its plug-in type assemblies make installation and maintenance more convenient to the installer. The unit is compatible to the TX7004 Analogue Intelligent Fire Alarm Control Panel, produced by single manufacture T&A, to avoid addressable communication compatibility problem.



Technical Specification

Listed

Compliance

Power Rating

Input Voltage

External PSU: 20 to 28VDC

Current Consumption

External PSU: Standby 10mA, Alarm: 60mA

Control output voltage

Module

End of line Resistance

Protocol/Addressing

Indicator Status

Material / Colour

Dimension / LWH

Weight

Operating Temperature

Ingress Protection Rating

Humidity

LPCB Pending

EN54-18:2005/AC2007

Loop Power: 24VDC [16V to 28V]

Loop: Standby 1.3mA, Alarm: 5mA

24VDC (Only for the use of TX7130, do not allow the short circuit)

5.1Kohms/ ¼ W

T&A, Value range from 1 to 254

Normal: Single blink/Active: Steady/Fault: Double Blink

ABS / White Glossy finishing

108 mm x 86 mm x 38 mm

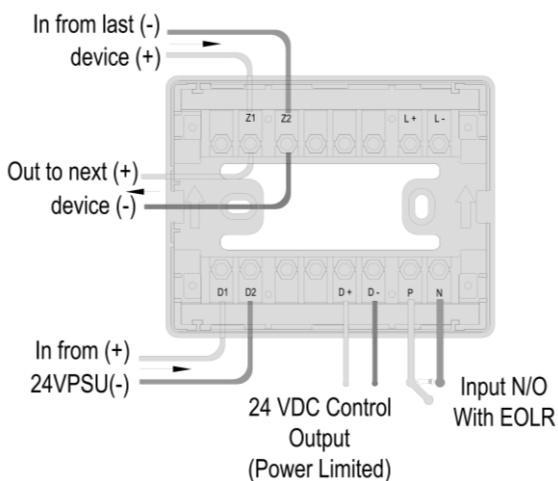
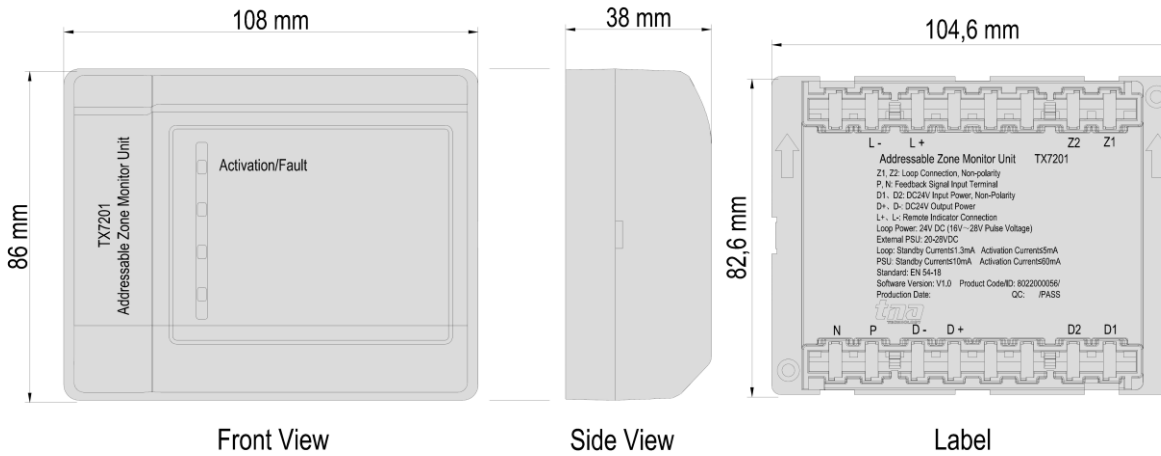
154g (with Base), 83g (without Base)

-10°C to +50°C

IP30

0 to 95% Relative Humidity, Non condensing

Module and Wiring Details



Terminal Description

Z1 Signal In (+)

Z1 Signal Out (+)

Z2 Signal In (-)

Z2 Signal Out (-)

P connect detectors, Non-polarity

N connect detectors, Non-polarity

D1 External Power Supply In (+)

D2 External Power Supply In (-)

D+, D- Output Cable (Only for the use of TX7130)

L+ Remote Indicator (+)

L- Remote Indicator (-)

