

TX7100

Intelligent Addressable Optical Smoke Detector



Feature and Benefits

- EN54-7:2000 +A1:2002 +A2:2006 Compliance
- LPCB Approved
- Using microprocessor technology with memory capacity up to 10 events
- Analogue sending and digital addressing
- Provide real time algorithm to the control panel
- Smart linear drift compensation
- Onsite adjustable parameter
- 360-degree visual indicator
- Removable chamber against dust and small insect
- Ancillary remote indicator output
- Aesthetically pleasing design



EN54-7
1330b(cl-1)



0832-CPR-F1702
Y17

Overview

The TX7100 Intelligent Addressable Optical Smoke Detector is the ideal device for most applications, due to its spiffing linear response to a wide variety of different types of smoke patterns. The unit manufactured the sensitivity requirement of EN 54 part 7, European Standard. The unit is aesthetically pleasing with unobtrusive design that will complement modern building designs. The unit incorporates an intelligent processor that provides Algorithm map, inbuilt A/D converter, Drift compensation, and Self-Diagnosis and History log.

Secure and speedy communication through the on-board processor enables the detector to make its own decision, resulting in greater automation. In the event of fire, the integral microprocessor analyses the signal according to factors such as signal strength and rate of increase, then confirms these patterns with the pre-programmed fire scenarios and smoke patterns, for a faster and safer response. Once it is confirmed, the LED indicates the sensor status and parallel sending communication signal to the control panel. The TX7100 detector is compatible to the TX7004 Analogue Intelligent Fire Alarm Control Panel, produced by single manufacture T&A, to avoid addressable communication compatibility problem





For Better Protection

Technical Specification

Listed

Compliance

Power Rating

Input Voltage

Current Consumption

Detector

Protocol/Addressing

Sensitivity

Indicator

Material / Colour

Dimension / Height

Weight

Operating Temperature

Humidity

LPCB / CE-CPR

EN54-7:2000 +A1:2002 +A2:2006

24VDC [16V to 28V]

Standby 0.6mA, Alarm: 4mA

T&A, Value range from 1 to 254

As per stipulated standard

Single LED / 360-degree Visual

ABS / White Glossy finishing

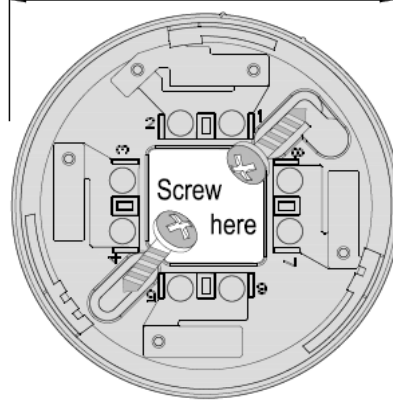
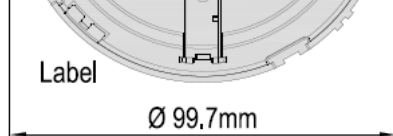
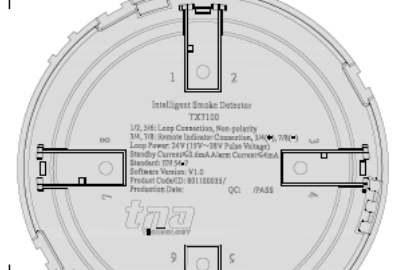
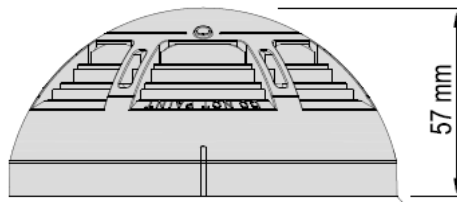
Diameter 99.7 mm / 57 mm

145g (with Base), 90g (without Base)

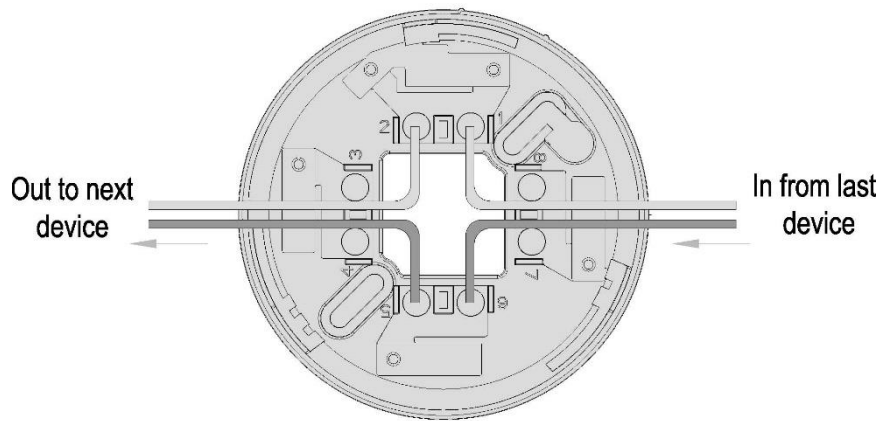
-10°C to +50°C

0 to 95% Relative Humidity, Non condensing

Detector and Wiring Details



Standard Base



Terminal Description

- 1 Signal In (+)
- 2 Signal Out (+)
- 3 Remote Indicator (+)
- 4 Remote Indicator (+)
- 5 Signal In (-)
- 6 Signal Out (-)
- 7 Remote Indicator (-)
- 8 Remote Indicator (-)



TANDA UK Limited
 4th Floor 30-31 Funnival Street, London, EC4A 1JQ,
 United Kingdom
 T +44 845 116 2924
 Email: info@tanda.uk.com
 Web.: www.tanda.uk.com

TANDA UK LTD | DATASHEET

Copyright © The information contained within these data sheets remains the property of TANDA UK LTD. and is not to be altered or reproduced without written permission. TANDA reserves the right to change any specification without giving prior notice.