

# TX7110

## Intelligent Dual Heat Detector



### Feature and Benefits

- EN 54-5:2000 + A1:2002 Compliance
- LPCB Approved
- Using microprocessor technology with memory capacity up to 10 events
- Analogue sensor and digital addressing
- Provide real time algorithm to the control panel
- 360-degree visual indicator
- Onsite Adjustable Parameter
- Ancillary remote indicator output
- Aesthetically pleasing design



EN54-5  
1330c(cl-1)



0832-CPR-F1704  
Y17

### Overview

The TX7110 Intelligent Fixed and Rate of Rise Heat Detector is reliable for application in places where may have high dust level or smoky environments, making a normal smoke detector undesirable. The unit manufactured base on the sensitivity requirement of EN 54 part 5, European Standard. The unit is aesthetically pleasing with unobtrusive design that will complement modern building designs. The unit incorporates an intelligent processor that provides inbuilt A/D converter, and Self-Diagnosis and History log.

In the event of fire, the integral microprocessor analyses the signal according to factors such as signal strength and rate of increase, then confirms these patterns with the pre-programmed fire scenarios, heat patterns including rate of rise temperature patterns, for a faster and safer response. Once it is confirmed, the LED indicates the sensor status and parallel sending communication signal to the control panel. The TX7110 detector is compatible to the TX7004 Analogue Intelligent Fire Alarm Control Panel, produced by single manufacture T&A, to avoid addressable communication compatibility problem.





For Better Protection

Technical Specification

Listed

Compliance

Power Rating

Input Voltage

Current Consumption Standby

Detector

Protocol/Addressing

Heat Class Type

Indicator

Material / Colour

Dimension / Height

Weight

Operating Temperature

Humidity

LPCB / CE-CPR

EN 54-5:2000 + A1:2002

24VDC [16V to 28V]

0.6mA, Alarm: 4mA

T&A, Value range from 1 to 254

A1R

Single LED / 360-degree Visual

ABS / White Glossy finishing

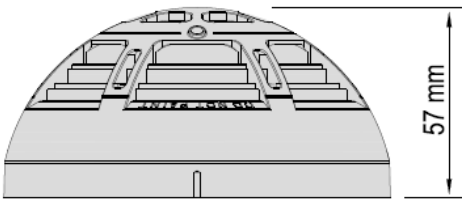
Diameter 99.7 mm / 57 mm

127g (with Base), 72g (without Base)

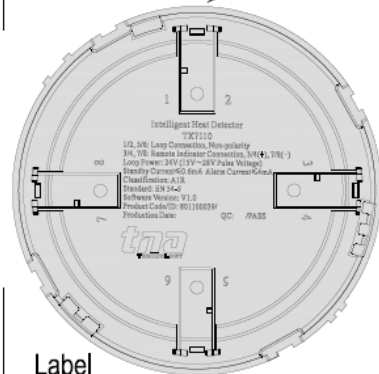
-10°C to +50°C

0 to 95% Relative Humidity, Non condensing

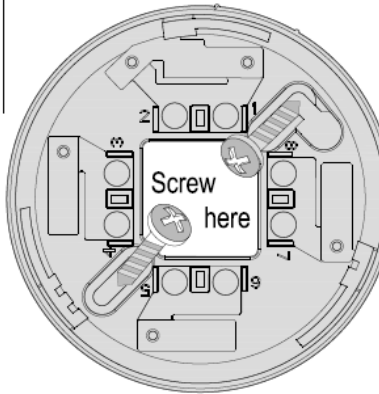
Detector and Wiring Details



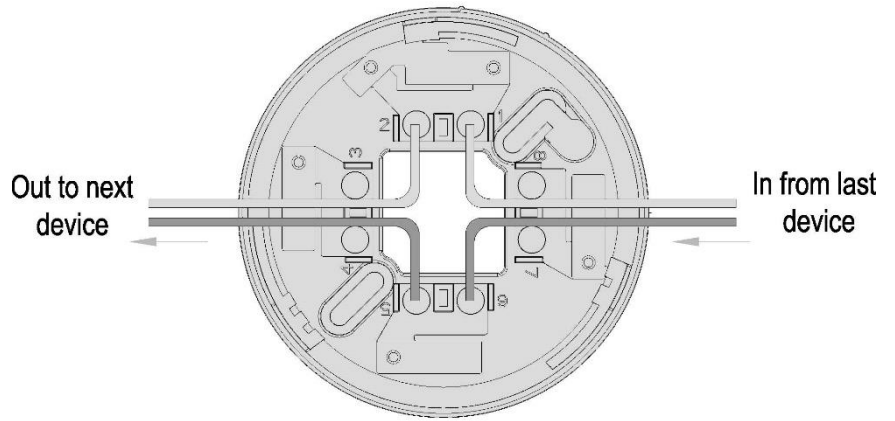
Detector Ø 95.33mm



Label Ø 99.7mm



Standard Base



Terminal Description

- 1 Signal In (+)
- 2 Signal Out (+)
- 3 Remote Indicator (+)
- 4 Remote Indicator (+)
- 5 Signal In (-)
- 6 Signal Out (-)
- 7 Remote Indicator (-)
- 8 Remote Indicator (-)



TANDA UK Limited  
 4th Floor 30-31 Funnival Street, London, EC4A 1JQ,  
 United Kingdom  
 T +44 845 116 2924  
 Email: info@tanda.uk.com  
 Web.: www.tanda.uk.com

TANDA UK LTD | DATASHEET

Copyright © The information contained within these data sheets remains the property of TANDA UK LTD. and is not to be altered or reproduced without written permission. TANDA reserves the right to change any specification without giving prior notice.