

TX7220

Addressable Dual Input/output Module



Feature and Benefits

- EN54-18 Compliance
- Built-in MCU processor and digital addressing
- Two circuits 24Vdc/3A Output relay contact and Control module
- Two circuits Input Fire or Supervisory signal configuration
- Dis/Enable Input and output cable monitored
- LED status indicator
- Onsite Adjustable Parameter
- Loop or external power input
- Aesthetically pleasing design
- Surface mounting with fix base for simple installation

Overview

The TX7220 Addressable Dual Input/output Module is characterized as two inputs or outputs volt free relay and control module. The unit is normally used for overriding equipment such as lift return, door holder, smoke extract fans, air handling unit, auto dialler to fire brigade, BMS and etc. The unit has built-in feedback signal feature, according to the pre-configured interface module command fire scenario, the alarm controller send out start command to the equipment required to start. After receiving the command, output module enables its relay to change state. Once the module is under control and operated a confirmation signal will be sending back to the alarm controller. In addition, the unit incorporates an intelligent processor that provides automatic monitoring for both open and short circuit of the input signal line.

The unit manufactured base on the requirement of EN 54 part 18, European Standard. The unit is aesthetically pleasing with unobtrusive design that will complement modern building designs and its plug-in type assembles make installation and maintenance more convenient to the installer. The unit is compatible to the TX7004 Analogue Intelligent Fire Alarm Control Panel, produced by single manufacture T&A, to avoid addressable communication compatibility problem



Listed

Compliance

Power Rating

Input Voltage

Current Consumption

Control output voltage

Module

Input Relay

Input Resistance

Protocol/Addressing

Indicator Status

Material / Colour

Dimension / LWH

Weight

Operating Temperature

Ingress Protection Rating

Humidity

LPCB Pending

EN54-18:2005/AC2007

Loop Power:24VDC [16V to 28V]

External PSU: 20 to 28VDC

Loop: Standby 0.6mA, Alarm: 2.6mA

External PSU: Standby 0.6mA, Alarm: 45mA

24VDC / 3A rating (per circuit)

Normally Open dry contact

5.1Kohms/ ¼ W

T&A, Value range from 1 to 254

Normal: Single blink/Active: Steady/Fault: Double Blink

ABS / White Glossy finishing

108 mm x 86 mm x38 mm

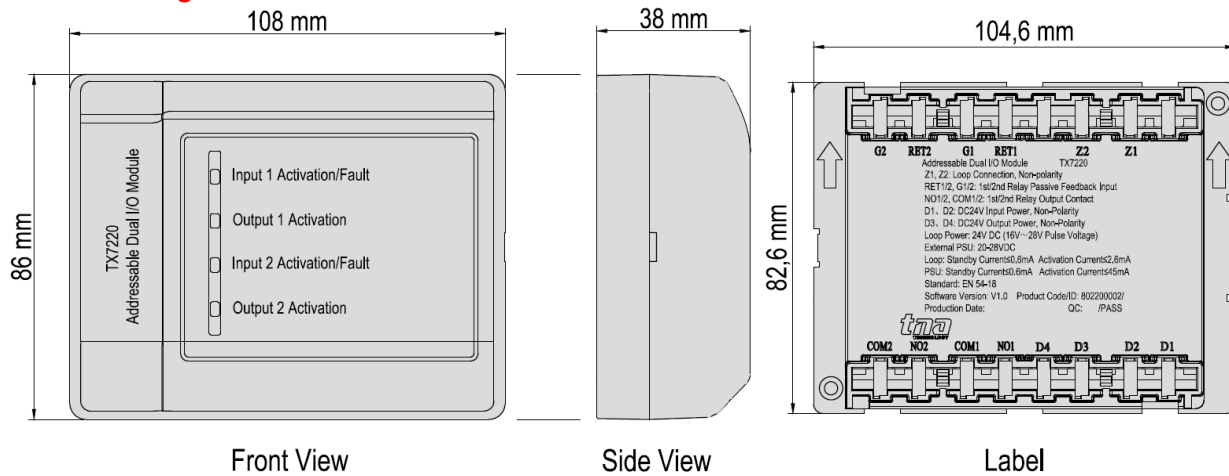
182g (with Base), 100g (without Base)

-10°C to +50°C

IP30

0 to 95% Relative Humidity, Non condensing

Module and Wiring Details



Terminal Description

Signal In (+)

Z1 Signal Out (+)

Z2 Signal In (-)

Z2 Signal Out (-)

RET 1 Input Cable (Circuit 1); RET 2 Input Cable (Circuit 2)

G 1 Input Cable (Circuit 2); G 2 Input Cable (Circuit 2)

D1 External Power Supply In (+)

D2 External Power Supply In (-)

D3 Not Use

D4 Not Use

COM1 Output Cable (Circuit 1); COM2 Output Cable (Circuit 2)

NO1 Output Cable (Circuit 1); NO2 Output Cable (Circuit 2)



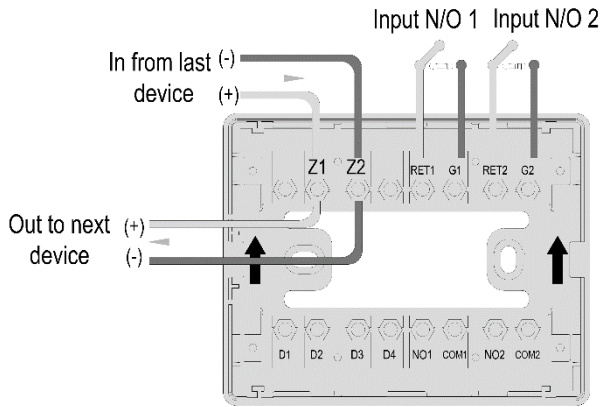


Figure 1: Input Wiring Details
 Note: Change the parameter Input Check into 3Y (Loop Powered)

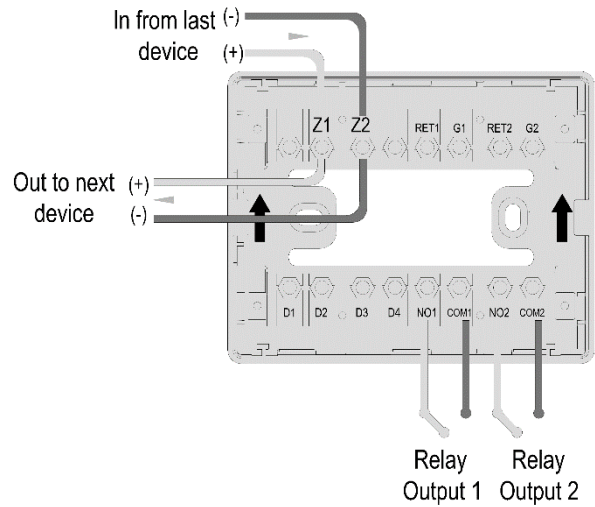


Figure 2: Relay Output Wiring Details (Loop Powered) mostly used

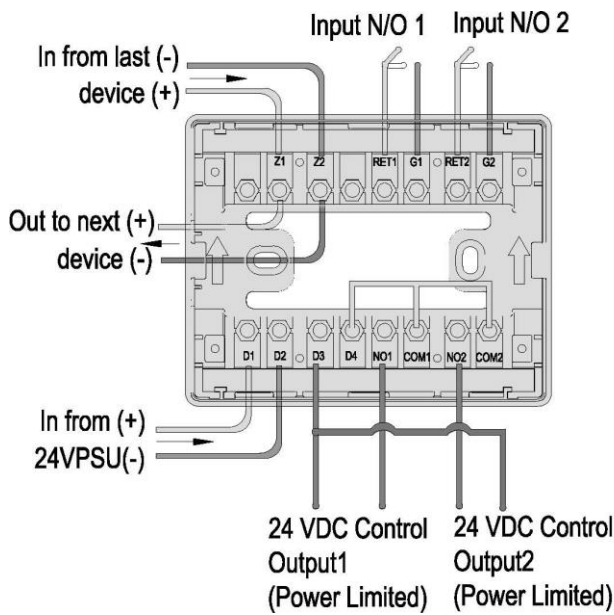


Figure 3: Control Output Wiring Details (With External Power Supply)

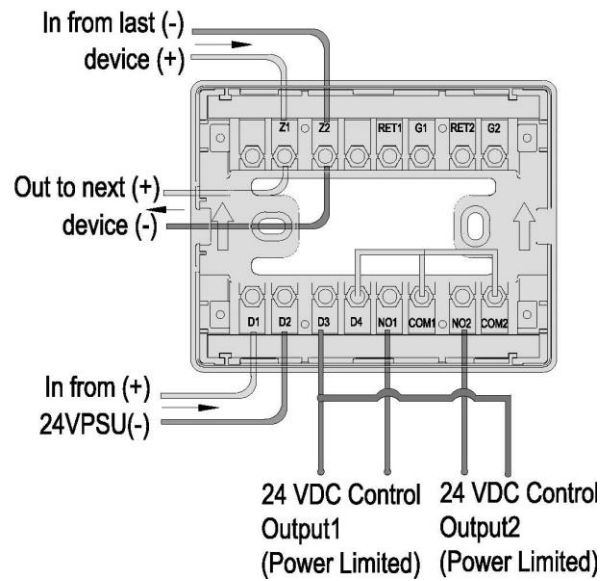


Figure 4: Control Output with Feedback Signal Wiring Details (With External Power Supply)

