



TX7320

Addressable Sounder

Features and Benefits

- EN54-3 Compliance
- Built-in MCU processor and digital addressing
- 17 tones Programmable sound output
- Programmable Evacuate or Pre-alarm/Evacuate signal
- Low and normal consumption mode
- One or Two addresses mode
- Onsite Adjustable Parameters
- Loop or external power input
- Aesthetically pleasing design
- Universal mounting with fix base for simple installation

Overview

The TX7320 Addressable Sounder is alarm warning device used to notify persons in the vicinity of the occurrence fire emergency in order the person to take appropriate measures. The unit adopt multi-application device starting from the types, parameters and wiring layout in single unit. The parameters can be configured according to the requirement which include alarm tone from 17 different tones, single address or dual address mode and also setting of power mode to low current consumption in a simple programming.

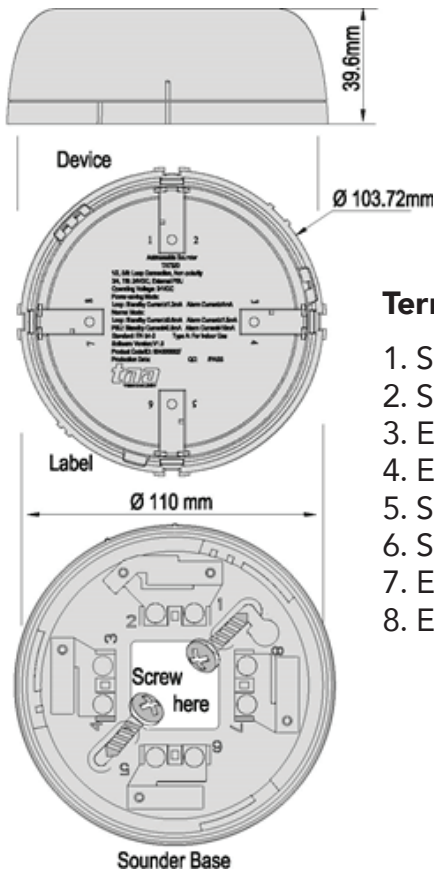
The unit manufactured base on the requirement of EN 54 part 3, European Standard. The unit is aesthetically pleasing with unobtrusive design that will complement modern building designs and its plug-in type assembles make installation and maintenance more convenient to the installer. The unit is compatible to the TX7004 Analogue Intelligent Fire Alarm Control Panel, produced by single manufacture T&A, to avoid addressable communication compatibility problem.

Technical Specification

Listed	LPCB Pending
Compliance	EN54-3
Power Rating	
Input Voltage	Loop Power: 24VDC [18V to 27.5V]
External PSU	24VDC [20V to 27.5V]
Typical Current	Loop: Standby 0.6mA, Alarm: 1.5mA
Loop and External PSU	Standby 0.6mA, Alarm: 10mA
Saving Current	Standby 1.2mA, Alarm: 4mA
Sounder	
Protocol/ Addressing	T&A, Value range from 1 to 254
Address Sequence	Single Address: Evacuate tone

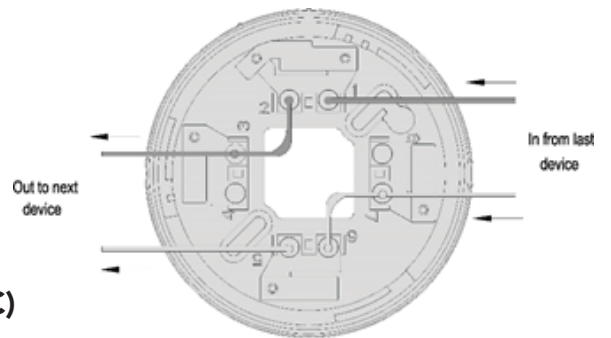
Dual Address	1st Alert Tone / 2nd Evacuate tone
Material / Colour	ABS / RED Glossy finishing
Dimension / Height	Diameter 110 mm / 39.6 (with Base)
Weight	180g (with Base), 114g (without Base)
Class	Type A, Indoors
Operating Temperature	-10°C to +50°C
Ingress Protection Rating	IP21
Humidity	0 to 95% Relative Humidity, Non condensing

Sounder and Wiring Details

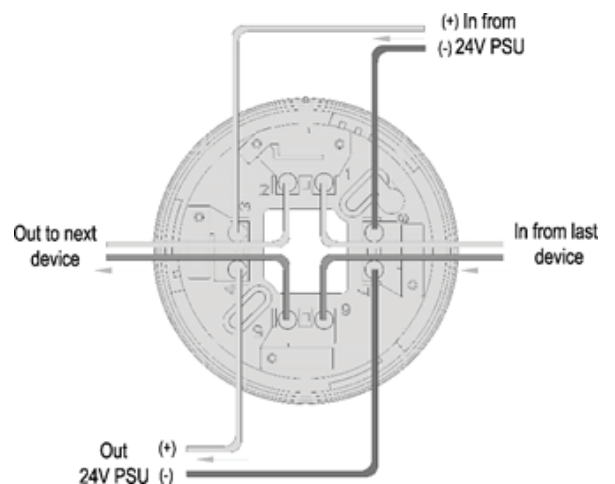


Terminal Description (24VDC)

1. Signal In (+)
2. Signal Out (+)
3. External PSU In (+) Optional
4. External PSU Out (+) Optional
5. Signal In (-)
6. Signal Out (-)
7. External PSU In (-) Optional
8. External PSU Out (-) Optional



Loop Powered Wiring Details



With External Supply Wiring Details