



TG7300

Power Amplifier

Features and Benefits

- Self-check is available
- Auto/Manual mode
- The monitor can be muted automatically to eliminate audio return while the microphone is used to broadcast
- Automatically switching between the main power and the standby power
- Fault uploading
- Over heat protection
- Providing 24VDC off-set for local audio output line and line-checking module
- Communicate with TG7100 Broadcast Control Panel through RS485

Overview

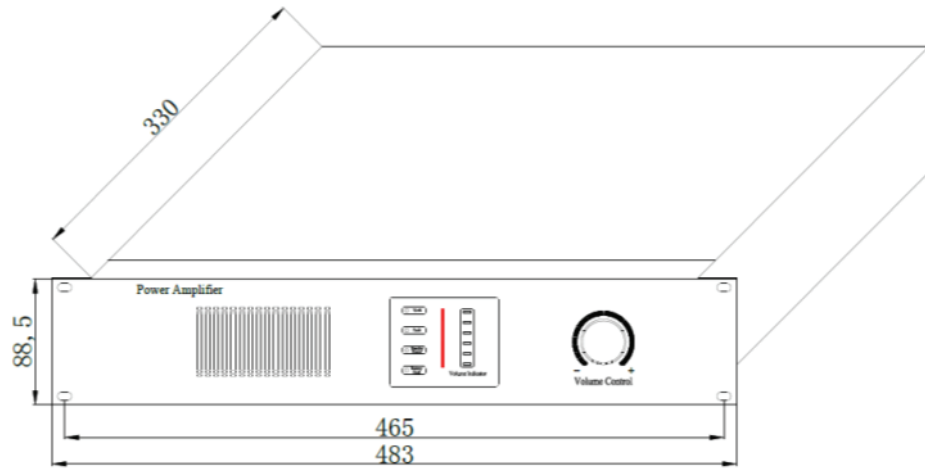
The TG7300 power amplifier series is part of TNA Voice Alarm System. This amplifier has three different power ratings: TG7300 (150watts), TG7301 (300watts and TG7302 (500watts), with 120 output volt line. The TNA voice alarm system consists of TG7300 power amplifiers, TG7100 control panel, and TX7214 addressable voice alarm module sitted on the signaling loop of TX7008 Fire alarm control panel. As it receives the emergency signal, the power amplifier can automatically adjust audio to preset position not controlled by the volume potentiometer, eliminating the influence of human operation.

Technical Specification

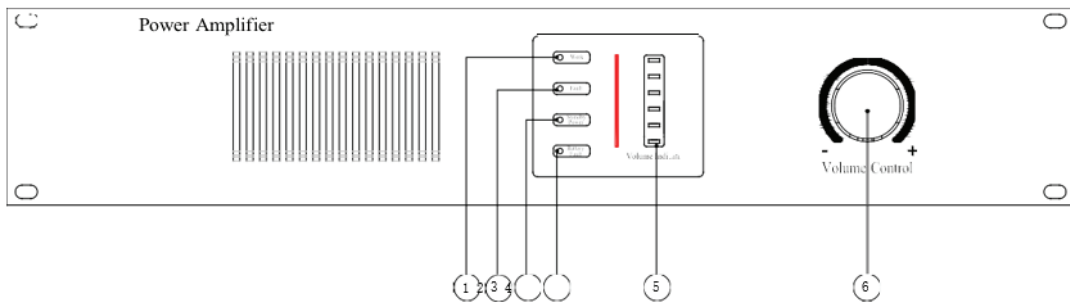
Power Rating	
Main Power	220VAC (187V~242V) 50Hz
Standby Power	220VAC (187V~242V) 50Hz
Power Amplifier	
Local Address	1~10 (binary code, no repeated codes)
Input Resistance	10KΩ
Input Level	775mV
Stable Voltage Output	120V
Frequency Response	80Hz~8KHz (90V~145V)
Harmonic Distortion	≤5%

Noise Level	<37mV
Materials	
Dimensions LxW x H	483.0mm×330.0mm×88.5mm
Weight	6.5 Kg
Operating Temperature	-10°C to +40°C
Relative Humidity	≤95% Relative Humidity, Non condensing

Power Amplifier Detail

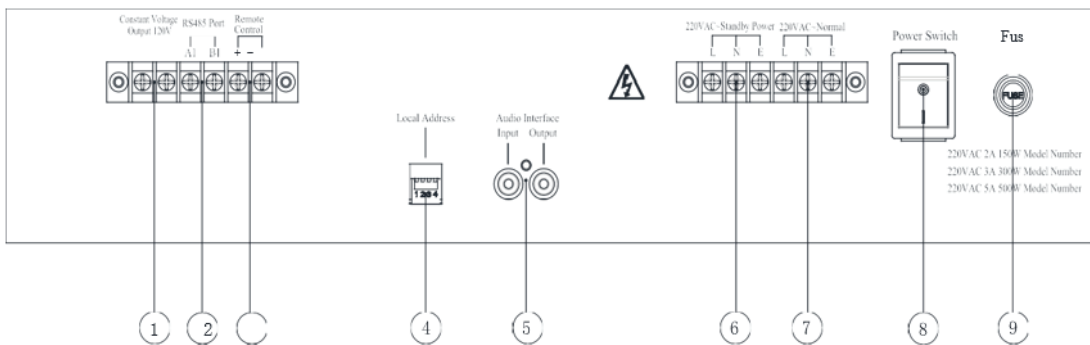


Front View



- ① Work LED
- ② Fault LED
- ③ BAT LED
- ④ BAT Fault LED
- ⑤ Volume LED
- ⑥ Volume Control

Rear View



- ① Audio Output
- ② RS485
- ③ Remote Control
- ④ Local Address
- ⑤ Audio Port
- ⑥ Batteries
- ⑦ Main Power
- ⑧ Switch
- ⑨ Fuse